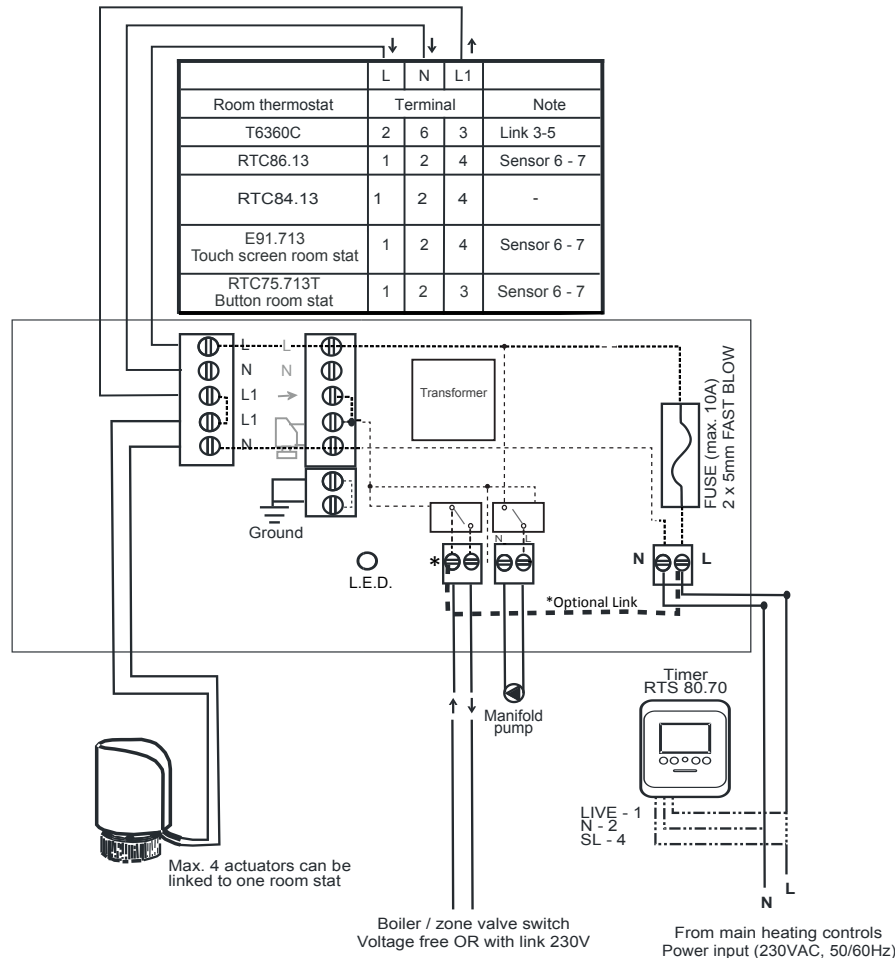


Schematic - Wiring Centre - H-Box-12 V1.2 PCB version H-Box-12 V1.4 (Current model)

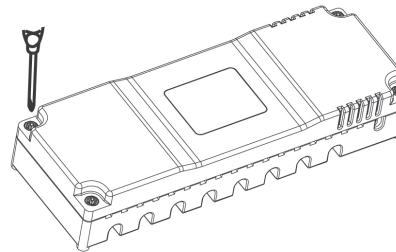


1

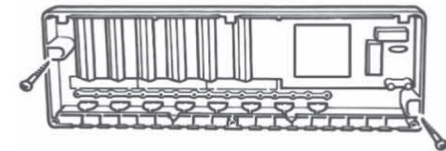
*Voltage Free Switch

- With Optional Link fitted - Can be used as a 230v switch live output to zone valve or boiler/heat source
- Without Optional Link fitted - Can be used as low voltage switching for Boiler/heat source

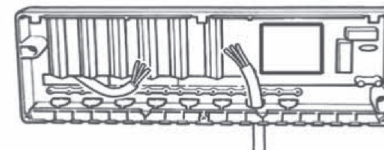
1) Removing the front cover



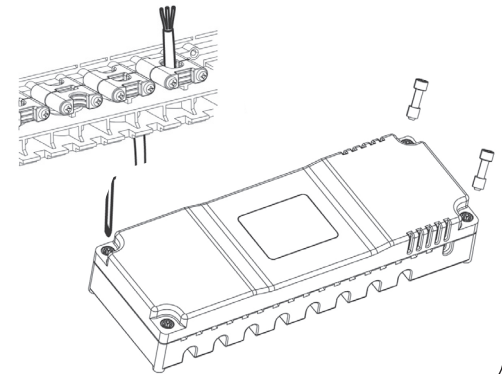
2) Mounting control centre onto wall



3) Wiring cables for power, thermostats, auxiliary relays and actuators



4) Fixing the cables and closing the cover



(Identifiable by model no. H-box212_V1.4 on PCB)

Technical Data.	
Supply voltage	230V AC, 50/60Hz
Output voltage	230V AC, 50/60Hz
Max. Load	4A
Number of zone outputs	12 zones
Relay Output (2 minutes delay)	Left Hand: 1 x potential free relay output Right Hand: 1 x independent relay output (230V AC, 3A) Two Relays will be engaged whenever one or more thermostats call for heating. The relays will be disengaged when all the zone thermostats stop heating activity
Ambient temperature	0°C-50°C
Dimension (mm)	310 W x 110 H x 55 D

Before you commence wiring, make sure you identify which H-Box wiring centre model you have.

All electrical work must be completed by a qualified trades person.

Your Notes:

2

Tech support opening hours are subject to change - please visit our website for the latest information